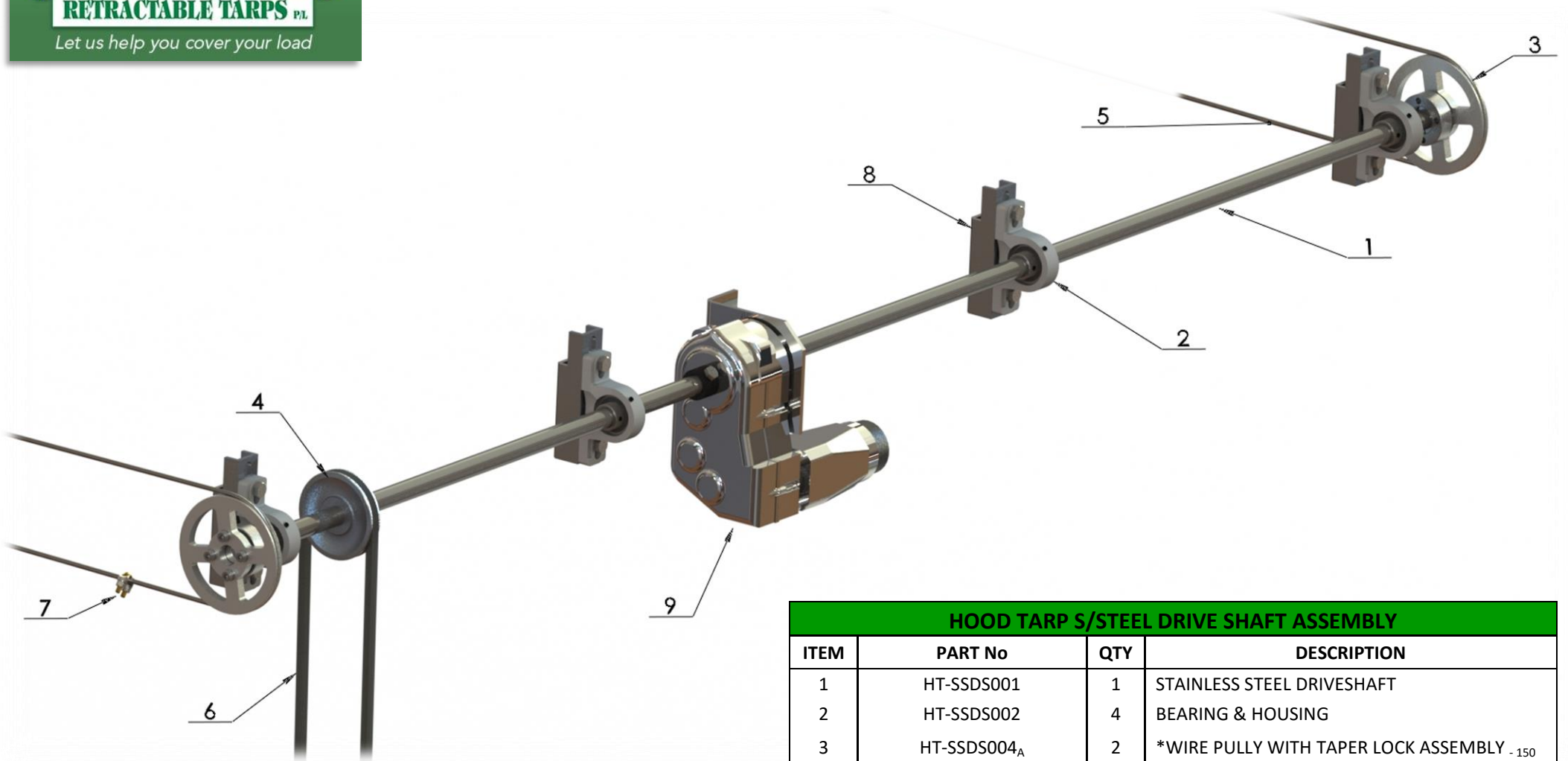




RETRACTABLE TARPS PL

Let us help you cover your load



HOOD TARP S/STEEL DRIVE SHAFT ASSEMBLY

ITEM	PART No	QTY	DESCRIPTION
1	HT-SSDS001	1	STAINLESS STEEL DRIVESHAFT
2	HT-SSDS002	4	BEARING & HOUSING
3	HT-SSDS004 _A	2	*WIRE PULLY WITH TAPER LOCK ASSEMBLY .150
4	HTSSDS005 _B	1	ALLOY V-BELT PULLEY .4"
5	HT-GCA6mm	2	6mm WIRE CABLE
6	HT-DB	1	DRIVE BELT
7	HT-CWG	2	CABLE WIRE GRIPS
8	HT-ABBS	4	BEARING SPACER BLOCK
9	RT-1027 _{12V} or RT-1028 _{24V}	1	ROLL-RITE HOLLOW SHAFT MOTOR

**Note: Complete sub-assembly or individual components available*