



LONG BLOCK WATERPROOF KIT ORDER FORM

FORM FOR COMPLETE NEW HOOD TARP KITS

CUSTOMER:	_____	DATE:	_____
ADDRESS:	_____	PHONE:	_____
	_____	FAX:	_____
CONTACT:	_____	ORDER NUMBER:	_____
	_____	EMAIL:	_____

PVC COLOUR

- Black, Red, White, Grey, Blue,
 Maroon, Green, Yellow

BOW SELECTION (EXCAVATION ONLY 25.4 mm ø)

- 150 mm
 350 mm*
 450 mm



**350 High Bow is ideal for this system.*

BODY TYPE

- Rigid Truck
 Dog Trailer
 Semi Tipper
 Other: Note Below*

TAILGATE STYLE

- Two-Way Gate
 Forward Hinged
 Rear Top Hinged
 Other: Note Below

**Body Brand should also be noted for reference.*

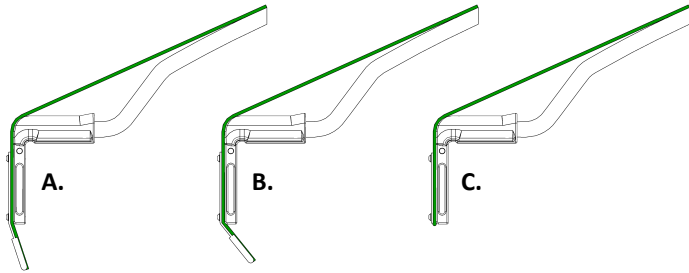
DRIVE OPTIONS

MANUALLY DRIVEN

- Chain Driven*
**Surcharge for stainless chain drive upgrade. Belt drive is not available for this style of system.*

ELECTRIC DRIVE

- Hardwired
 Remote Hardwired
 Standalone Remote
 Add Manual Override



WATERPROOF PLATE STYLE

- A. Old style inside nib (shallow)
 B. Old style inside rail (steep)
 C. New style (Recommended)

SUPPLY VOLTAGE

- 12 V
 24 V

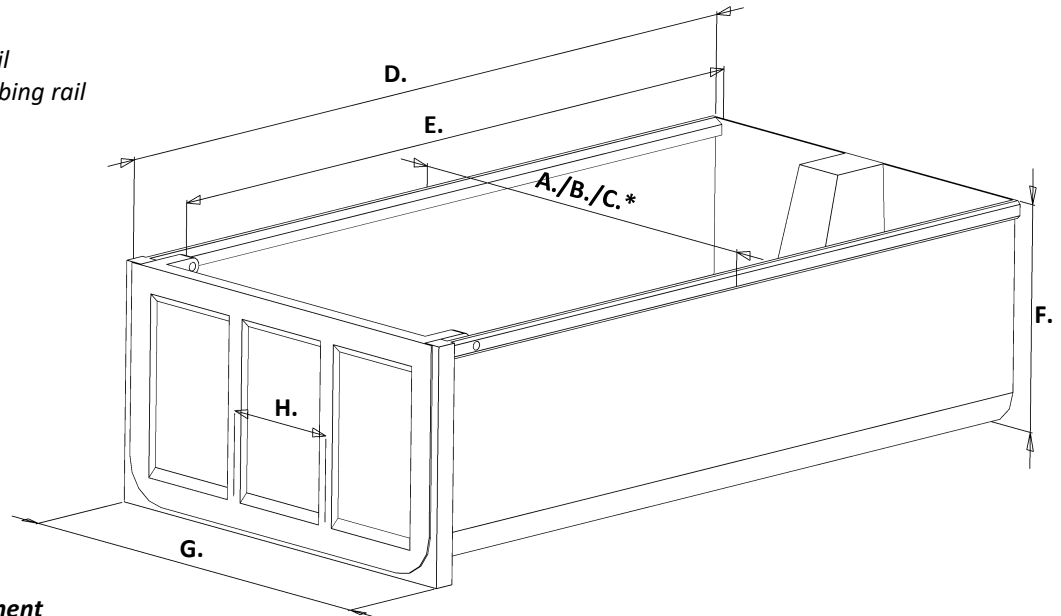
NOTE: All tarps are custom made to fit the provided measurements, therefore their accuracy is your responsibility. If you have any questions regarding this form, please contact our head office.

MEASUREMENT REQUIREMENTS

- Hoist box **must** be flush or below the rail
- Any height difference between the combing rail and tailgate/hinges must be noted

REQUIRED DIMENSIONS

- A. Outside width front _____
 B. Outside width rear _____
 C. *Widest point _____
 D. Total Body length _____
 E. Headboard to hinge _____
 F. Side height _____
 G. Outside of rear posts _____
 H. Inner post spacing _____



**If body is bowed out. Measurement of widest point is required.*

NOTES

28-30 Terrence Road Brendale QLD 4500
 PO Box 5623, Brendale QLD 4500
 Phone 07 3889 9611, Fax 07 3889 9622
 Email: sales@retractabletarps.com.au