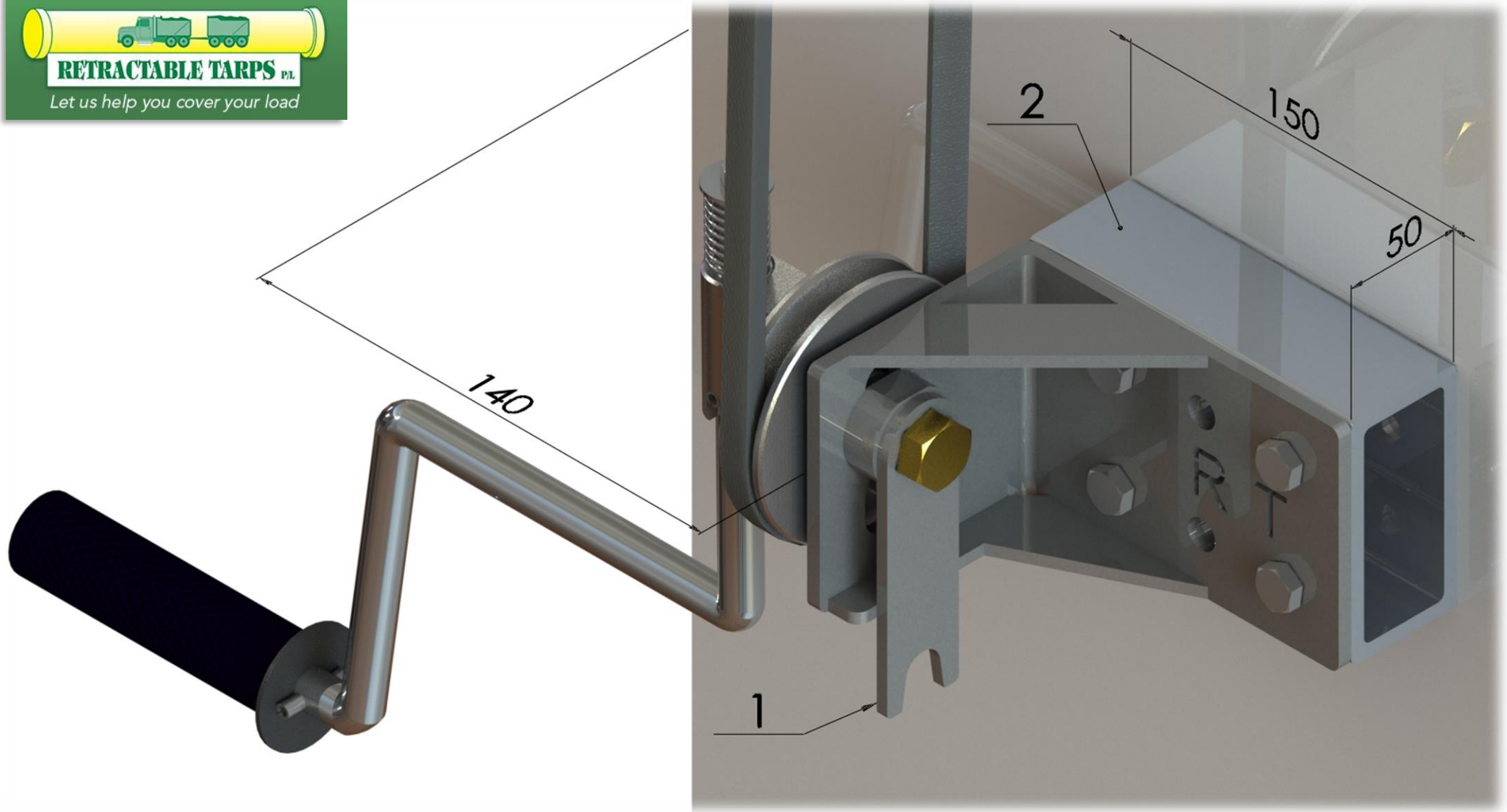


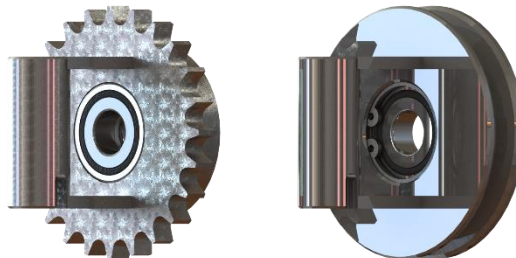


RETRACTABLE TARPS PL

Let us help you cover your load



IDEAL POSITION FOR BOTH PULLEY AND SPROCKET HANDLE ASSEMBLIES



IDEAL HANDLE PLACEMENT ON BODY

ITEM	PART No	QTY	DESCRIPTION
1	HT-HAB	1	COMPLETE BELT DRIVE HANDLE ASSEMBLY
2	HT-ALHS	1	ALUMINIUM HANDLE SPACER

Note: Full Handle assemblies or Individual Components available