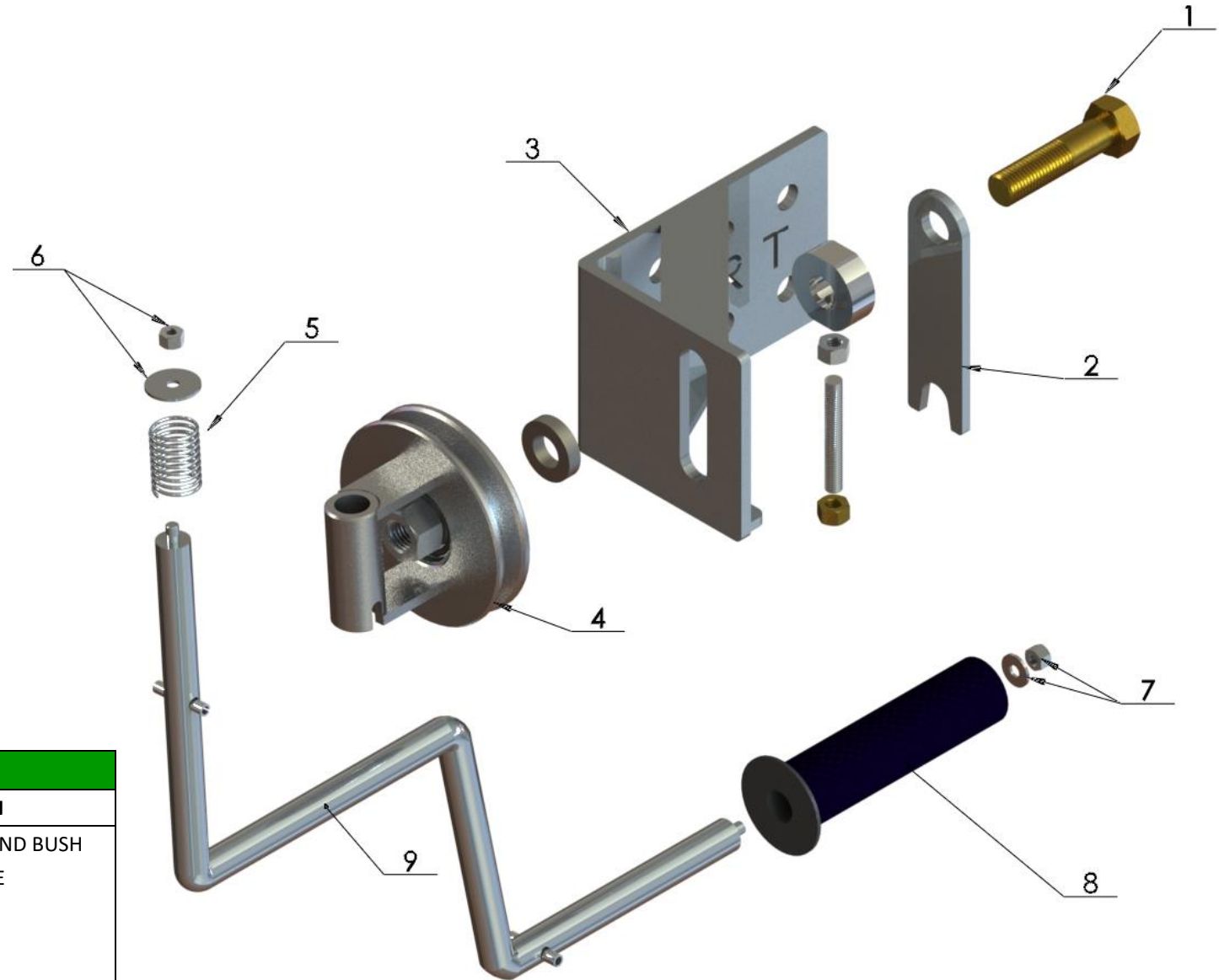
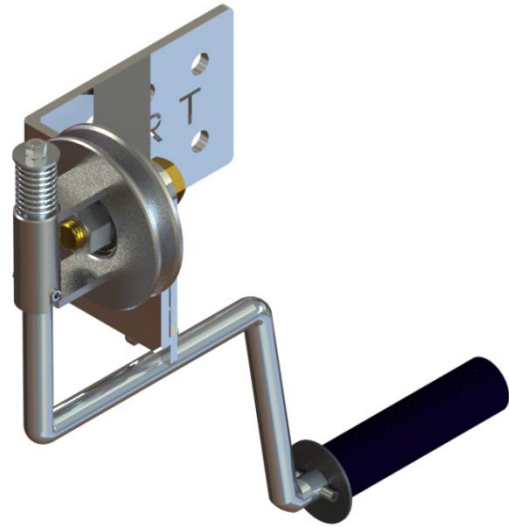




RETRACTABLE TARPS PL

Let us help you cover your load

ASSEMBLED UNIT



BELT DRIVE HANDLE ASSEMBLY

ITEM	PART No	QTY	DESCRIPTION
1	HT-HABxxx	1	BOLT, WASHERS, NUT AND BUSH
2	HT-HAB001	1	HANDLE LOCKING PLATE
3	HT-HAB002	1	MOUNTING BRACKET
4	HT-HAB003/B	1	STEEL WINDING PULLEY
5	HT-HAB004	1	TENSION SPRING
6	HT-HABxxx	1	NUT & WASHER (SPRING SIDE)
7	HT-HABxxx	1	NUT & WASHER (GRIP SIDE)
8	HT-HAB005	1	HANDLE GRIP
9	HT-HAB006	1	STEEL HANDLE BAR

**Note: Both belt and chain drive Assemblies available*