

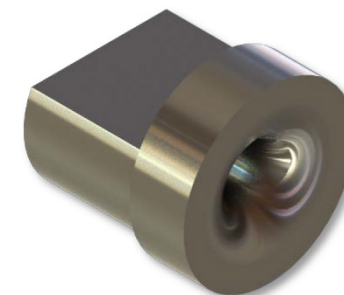
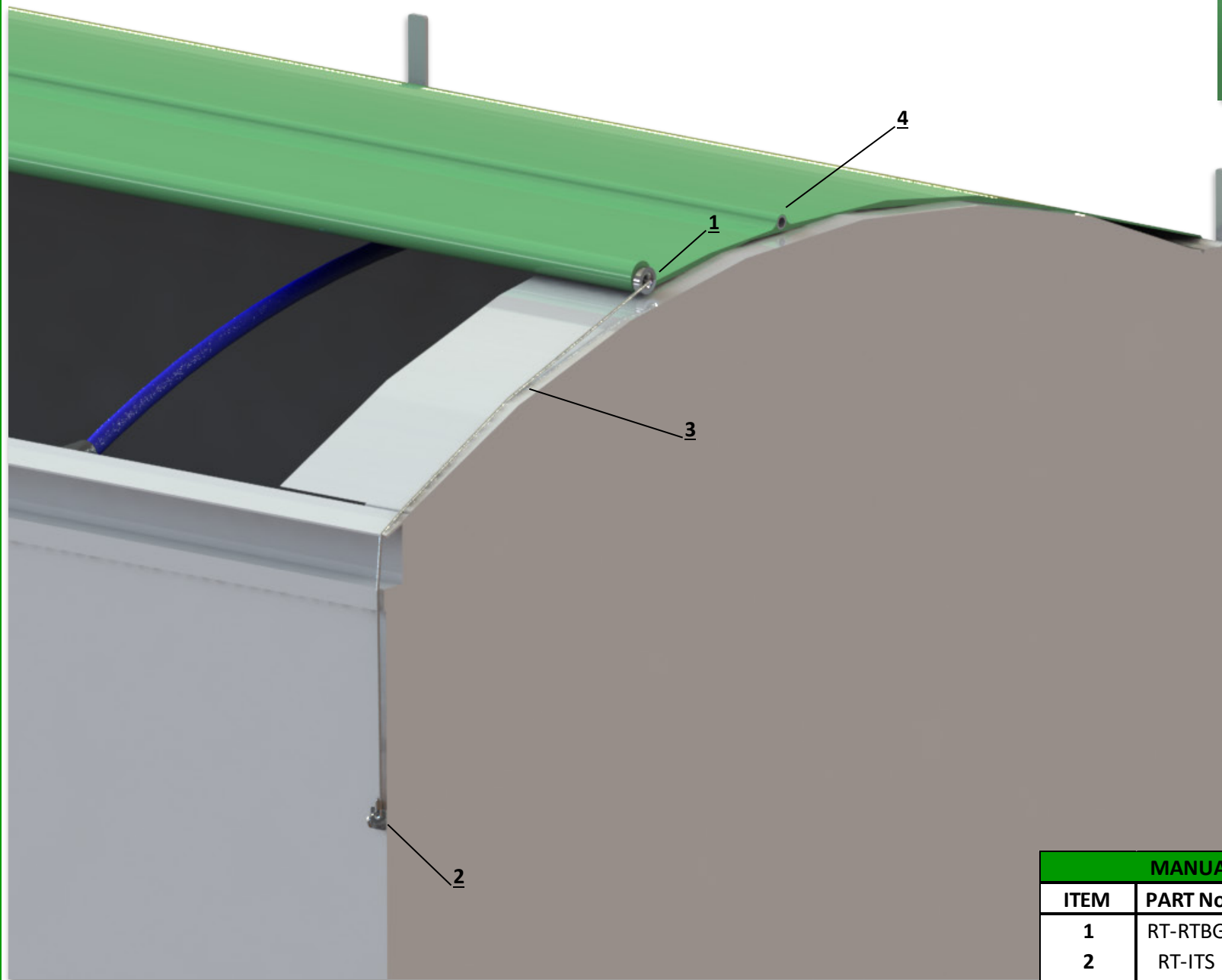
MANUAL ROLL OVER KIT ASSEMBLY			
ITEM	PART No	QTY	DESCRIPTION
1	RT-RHLT	1	REAR HANDLE LOCK – TALL
2	RT-36BFB	X	BLUE FLEX BOWS (36 mm OD)
3	RT-ROPVC/MES	X	900 GSM PVC/MESH PER METRE
4	RT-ALYTS/STLTS	X	ALUMINIUM/STEEL TARP STOPS
5	RT-ALBP/PUBP	1	ALUMINIUM/ URETHANE TARP STOPS
6	RT-ROHA	1	ROLL OVER HANDLE - STD
7	RT-QRUJ15	1	QUICK RELEASE UNI JOINT – 15T/1”
8	RT-STL15	1	STEEL TUBE/SPLINE SHAFT - 15T
9	RT-ITS	1	INNER TENSION SPRING KIT c/w CABLE
10	RT-RTPM	X	ALLOY ROLL TUBE /m
11	RT-SHLPS	1	SIDE HANDLE LOCK - P/S

PH: 07 3889 9611 FAX: 07 3889 9622  
 Email: sales@retractabletarps.com.au



**RETRACTABLE TARPS** PT

Let us help you cover your load



**RT-RTBG**  
ROLL TUBE BUNG /  
GUIDE



**RT-ITS**  
INNER TENSION SPRING  
KIT c/w cable

**MANUAL ROLL OVER KIT ASSEMBLY**

ITEM	PART No	QTY	DESCRIPTION
1	RT-RTBG	1	Roll tube bung/tarp guide
2	RT-ITS	1	Cable Anchor Point
3	RT-ITS	1	5 mm Stainless Cable
4	RT-AP01	1	Ridge Pole