



LONG BLOCK REPLACEMENT TARP FORM

FORM TO REPLACE OR UPGRADE EXISTING TARP SYSTEMS

CUSTOMER: _____ DATE: _____
 ADDRESS: _____ PHONE: _____
 _____ FAX: _____
 CONTACT: _____ ORDER NUMBER: _____ EMAIL: _____

PVC COLOUR

- Black, Red, White, Grey, Blue,
- Maroon, Green, Yellow

BOW SELECTION (EXCAVATION ONLY 25.4 mm \varnothing)

- 150 mm
- 350 mm*
- 450 mm



**350 High Bow is ideal for this system.*

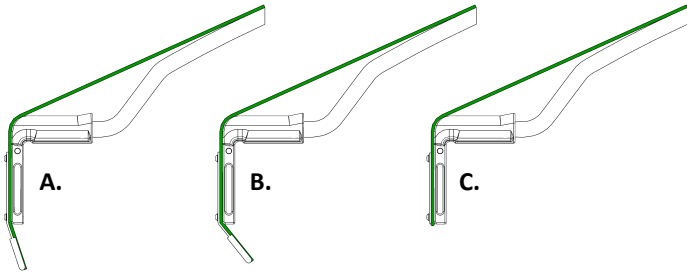
BODY TYPE

- Rigid Truck
- Dog Trailer
- Semi Tipper
- Other: Note Below*

TAILGATE STYLE

- Two-Way Gate
- Forward Hinged
- Rear Top Hinged
- Other: Note Below

**Body Brand should also be noted for reference.*



KIT REQUIREMENTS

ADDITIONAL HARDWARE

- Tarp pack complete (Tarp, bows and long blocks assembled)
- Bow(s) required (Note quantity in below)
- Block(s) Required (Note quantity below)
- Stainless Cable (Note length(s) below)
- Stainless tarp plate(s) (Note quantity and style below)
- Dog bone rubbers and/or ropes (Note below)

WATERPROOF PLATE STYLE

- A. Old style inside nib (shallow)
- B. Old style inside rail (steep)
- C. New style (Recommended)

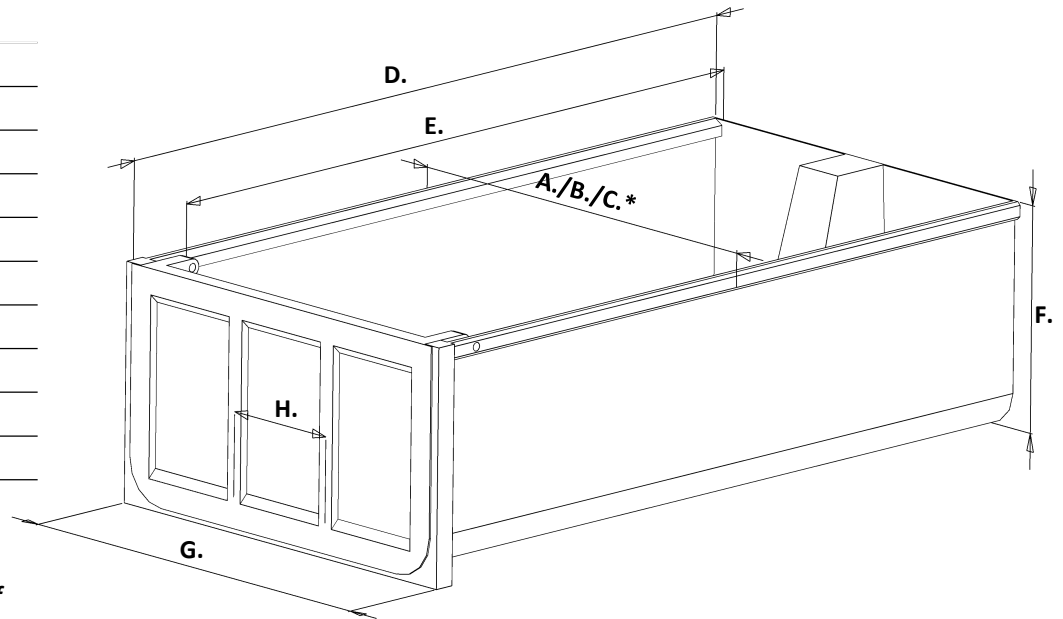
FRONT PANEL STYLE

- Fixed front bow*
- Shaped/tapered front

**Fixed is standard*

REQUIRED DIMENSIONS

- A. Outside width front _____
 - B. Outside width rear _____
 - C. Widest point¹ _____
 - D. Total body length _____
 - E. Headboard to hinge _____
 - F. Side height _____
 - G. Outside of rear posts _____
 - H. Inner post spacing _____
 - I. Existing tarp length _____
 - II. Cable centres² _____
1. *If body is bowed out. Measurement of widest point is required.*
 2. *Found by measuring the outside of one front wire pulley to inside of opposite pulley.*



NOTES

28-30 Terrence Road Brendale QLD 4500
 PO Box 5623, Brendale QLD 4500
 Phone 07 3889 9611, Fax 07 3889 9622
 Email: sales@retractabletarps.com.au