

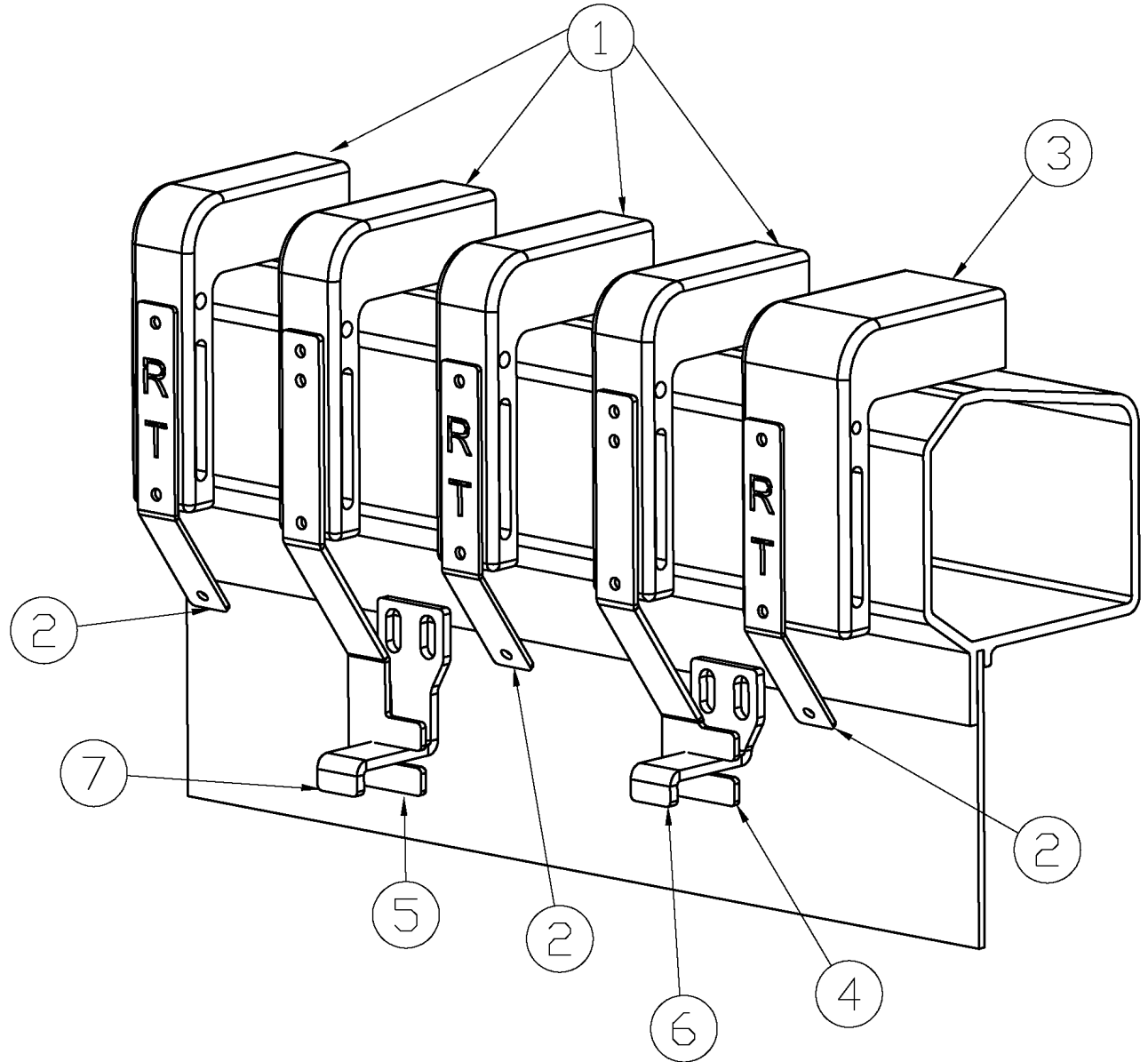
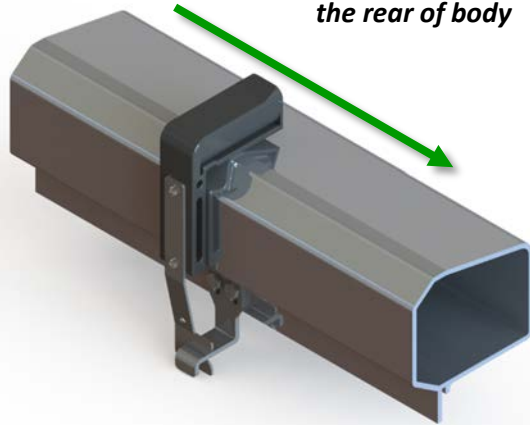


**RETRACTABLE TARPS PL**

Let us help you cover your load

**LOCKING PLATE PLACEMENT**

*Locking plates orientated to the rear of body*



**WATERPROOF LOCKING BLOCKS AND PLATES**

ITEM	PART No	DESCRIPTION
1	HT-XSLB	EXTENDED L-SHAPED BLOCK
2	HT-XTPL	EXTENDED S/STEEL TARP PLATE
3	HT-XDSL	EXTENDED DOUBLE L-SHAPED BLOCK
4	HT-0125	EXTENDED BLOCK LOCKING PLATE – SHORT
5	HT-0129	EXTENDED BLOCK LOCKING PLATE LONG
6	HT0-0128	BODY LOCKING BRACKET – SHORT
7	HT0127	BODY LOCKING PLATE – LONG

*\*Note: Individual Components Available*