



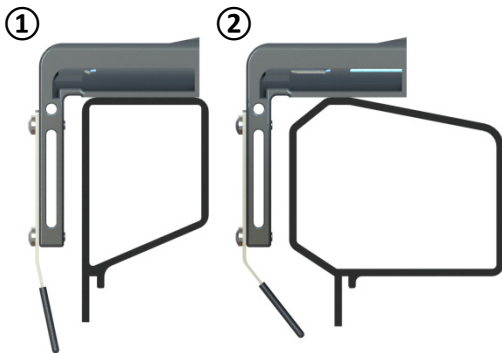
28-30 Terrence Road Brendale QLD 4500  
 PO Box 5623, Brendale QLD 4500  
 Phone 07 3889 9611, Fax 07 3889 9622  
 Email: sales@retractabletarps.com.au

## LONG BLOCK WATERPROOF MEASUREMENT SHEET

Customer: \_\_\_\_\_ Date: \_\_\_\_\_  
 Address: \_\_\_\_\_ Phone: \_\_\_\_\_  
 \_\_\_\_\_ Fax: \_\_\_\_\_

Contact: \_\_\_\_\_ Order Number: \_\_\_\_\_ Email: \_\_\_\_\_

### WATERPROOF PLATE STYLE (Circle)



- ① Flush Body Plate (Inside nib)
- ② Recessed Body Plate

### BODY TYPE

- Rigid Truck
- Dog Trailer
- Semi

Brand of Body: \_\_\_\_\_

### COLOUR SELECTION (Circle one of the Following)

PVC: Black, Red, White,  
 Grey, Blue, Maroon, Green,  
 Yellow

### TAILGATE

- Two Way Gate
- Forward Hinged
- Rear Top Hinged
- Other:

### NOTES

- Hoist box needs to be flush with the rail or lower
- Any height difference between the tailgate/hinges must be noted

### BOW SELECTION

- Excavation Bows
- 150 mm
  - 350 mm
  - 450 mm



### OPERATING REQUIREMENTS

#### Manual Shaft Drive Method

- Belt Driven
- Chain Driven

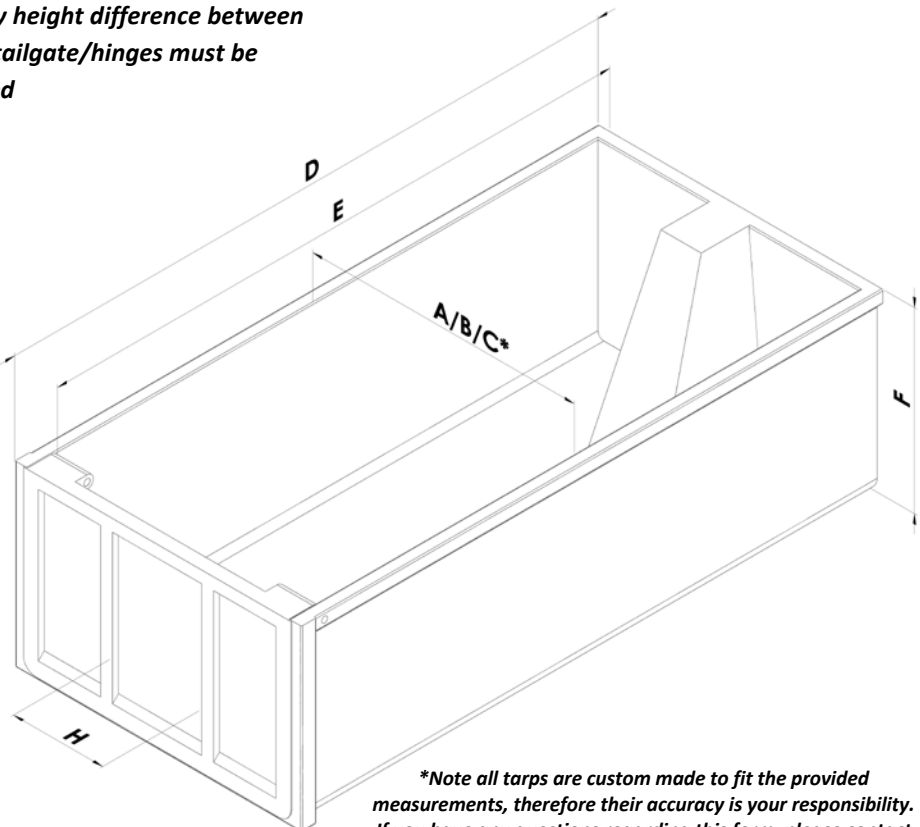
#### Electric System

- 12 Volt
- 24 Volt
- Manual Override

### REQUIRED DIMENSIONS

- A Outer width front \_\_\_\_\_
- B Outer width rear \_\_\_\_\_
- C \*Outside width \_\_\_\_\_
- D Overall Length \_\_\_\_\_
- E Front of Body to Hinge \_\_\_\_\_
- F Side Height \_\_\_\_\_
- G Width Across Back Posts \_\_\_\_\_
- H Inner Post Spacing \_\_\_\_\_

*\*If body is bowed out, Measurement of the widest point is required*



*\*Note all tarps are custom made to fit the provided measurements, therefore their accuracy is your responsibility. If you have any questions regarding this form, please contact our head office.*

Notes:

Contact Head office with any further queries