

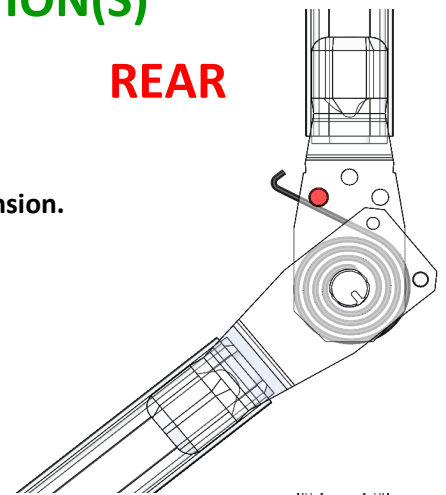
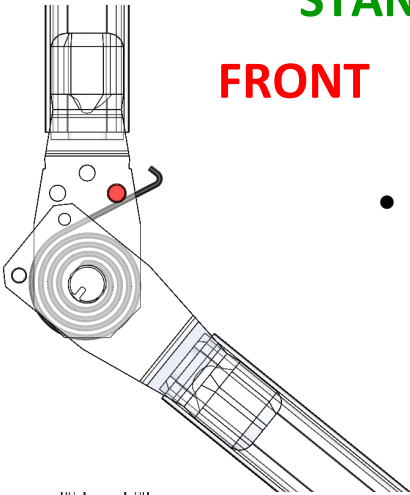
# STANDARD ARM SPRING POSITION(S)

**FRONT**

**REAR**

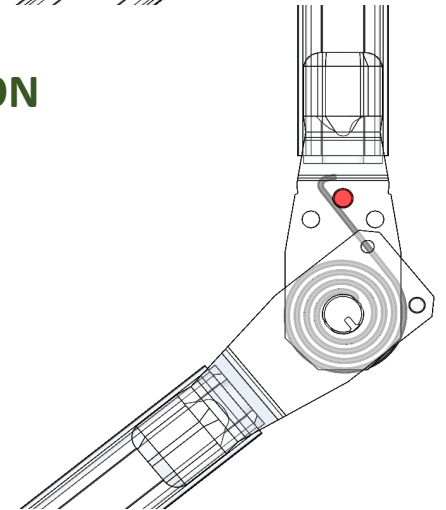
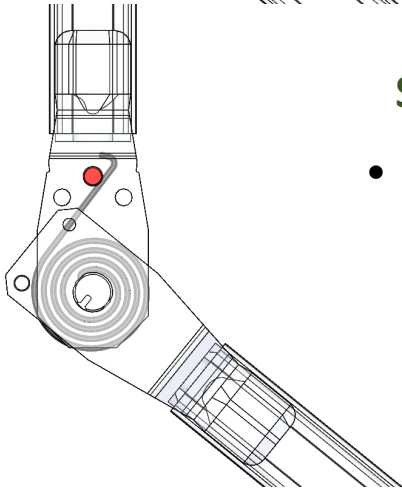
## HIGH TENSION POSITION

- This position generates the greatest spring tension.



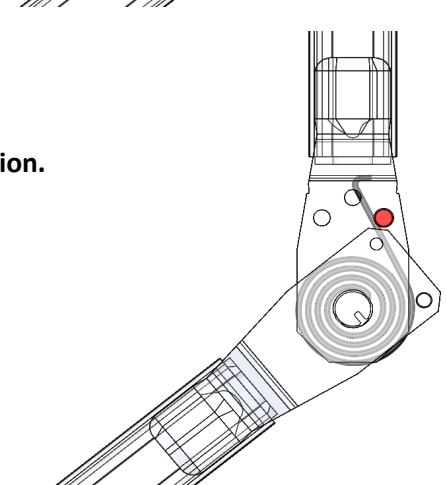
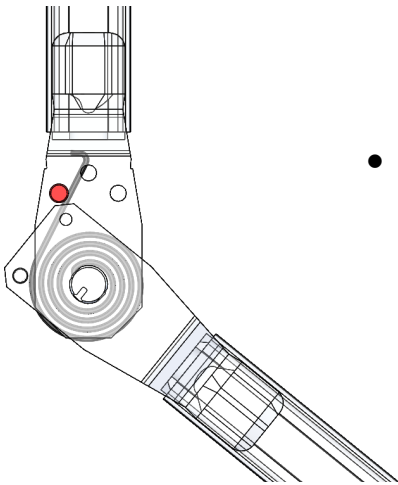
## STANDARD TENSION POSITION

- This position generates the standard spring tension.



## LOW TENSION POSITION

- This position generates the lowest spring tension.



## NO TENSION POSITION

- This position generates no spring tension

### NOTES:

- TENSION PIN HIGHLIGHTED IN **RED**
- REMOVING A SPRING IN ANY OF THE ABOVE POSITIONS WILL HALF THE AVAILABLE TENSION
- ONCE FITTED, SPRING TENSION MAY NEED TO BE ADJUSTED TO SUIT THE APPLICATION
- RETRACTABLE TARPS SUPPLIES ALL ARM KITS IN THE STANDARD TENSION POSITION UNLESS SPECIFIED OTHERWISE

