



**LONG BLOCK WATERPROOF  
COMPLETE KIT ORDER  
FORM**

**PLEASE INDICATE**

**CONFIRMED ORDER**

**QUOTE ONLY**

**CUSTOMER:** \_\_\_\_\_ **DATE:** \_\_\_\_\_

**ADDRESS:** \_\_\_\_\_ **PHONE:** \_\_\_\_\_

\_\_\_\_\_ **FAX:** \_\_\_\_\_

**CONTACT:** \_\_\_\_\_ **ORDER NUMBER:** \_\_\_\_\_ **EMAIL:** \_\_\_\_\_

**PVC COLOUR**

- Black,  Red,  White,  Grey,  Blue,  
 Maroon,  Green,  Yellow

**BOW SELECTION (EXCAVATION ONLY 25.4 mm ⌀)**

- 150 mm  
 350 mm\*  
 450 mm



*\*350 High Bow is ideal for this system.*

**BODY TYPE**

- Rigid Truck  
 Dog Trailer  
 Semi Tipper  
 Other: Note Below\*

**TAILGATE STYLE**

- Two-Way Gate  
 Forward Hinged  
 Rear Top Hinged  
 Other: Note Below

**DRIVE OPTIONS**

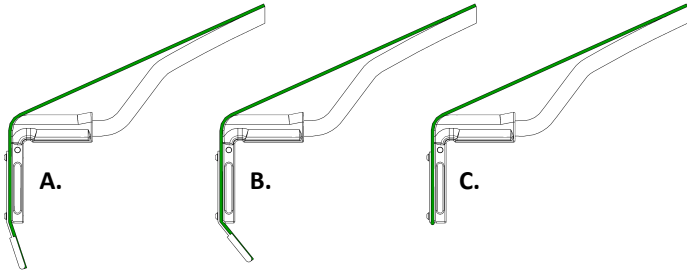
**MANUALLY DRIVEN**

- Chain Driven\*  
*\*Surcharge for stainless chain drive upgrade. Belt drive is not available for this style of system.*

**ELECTRIC DRIVE**

- Hardwired  
 Remote Hardwired  
 Standalone Remote  
 Add Manual Override

*\*Body Brand should also be noted for reference.*



**WATERPROOF PLATE STYLE**

- A. Old style inside nib (shallow)  
 B. Old style inside rail (steep)  
 C. New style (Recommended)

**SUPPLY VOLTAGE**

- 12 V  
 24 V

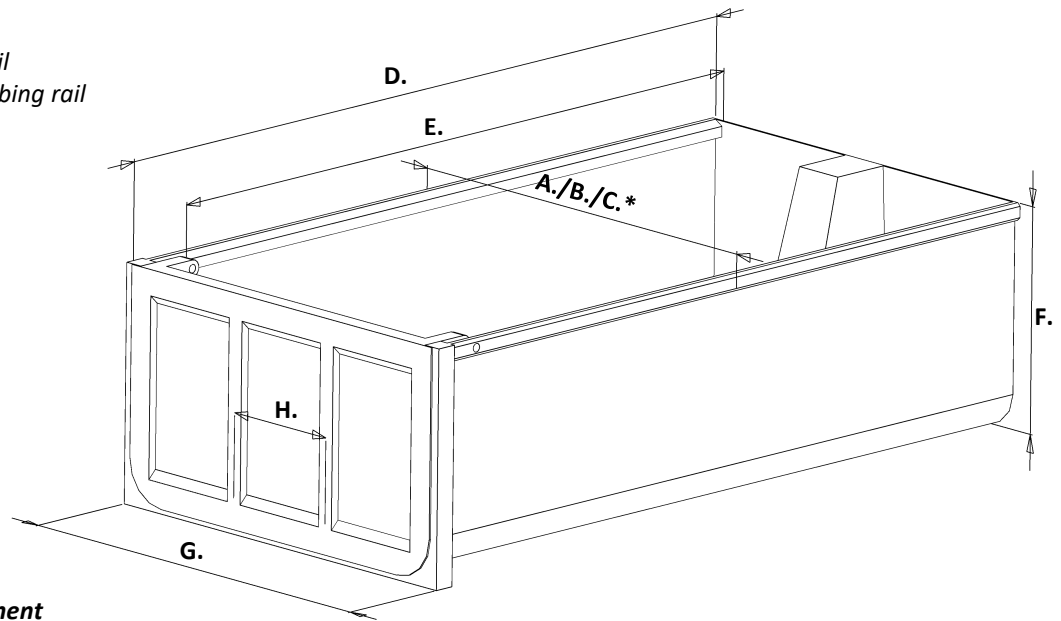
*NOTE: All tarps are custom made to fit the provided measurements, therefore their accuracy is your responsibility. If you have any questions regarding this form, please contact our head office.*

**MEASUREMENT REQUIREMENTS**

- Hoist box **must** be flush or below the rail
- Any height difference between the combing rail and tailgate/hinges must be noted

**REQUIRED DIMENSIONS**

- A. Outside width front \_\_\_\_\_
- B. Outside width rear \_\_\_\_\_
- C. \*Widest point \_\_\_\_\_
- D. Total Body length \_\_\_\_\_
- E. Headboard to hinge \_\_\_\_\_
- F. Side height \_\_\_\_\_
- G. Outside of rear posts \_\_\_\_\_
- H. Inner post spacing \_\_\_\_\_



*\*If body is bowed out. Measurement of widest point is required.*

**NOTES**

**28-30 Terrence Road Brendale QLD 4500**  
PO Box 5623, Brendale QLD 4500  
Phone 07 3889 9611, Fax 07 3889 9622  
Email: sales@retractabletarps.com.au