

PLEASE READ BEFORE INSTALLATION

OPEN STYLE FITTING INSTRUCTIONS

1. **Mock up brackets and drill mounting holes for M10 x 30 hardware provided in kit.**
2. **Mount up idler plate (Non-keyed), making sure it is square to the body. The plate should be firmly bolted in place, but not fully tightened as yet.**
3. **Slide tarp spool into idler endplate and add drive plate to the keyed end of the spool. (FIGURE 1)**

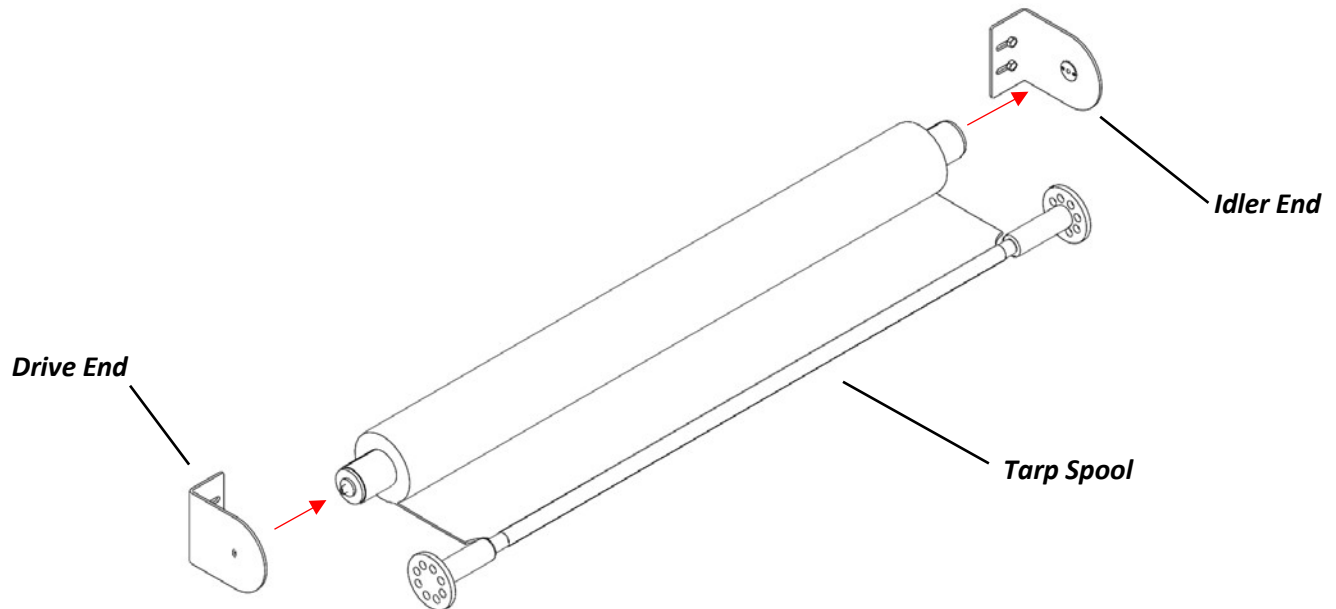


Figure 1: Spool assembly before tensioning

4. **Using the drive plate, turn the spool clockwise 16 to 18 times (no more than 20 turns). The spool must be held tightly at all times due to the large amount of tension in the spool at this point. (FIGURE 2)**
5. **While the system is under tension, bolt the drive plate end to the headboard firmly but not fully tightened. Again, make sure the plate is square to the body.**

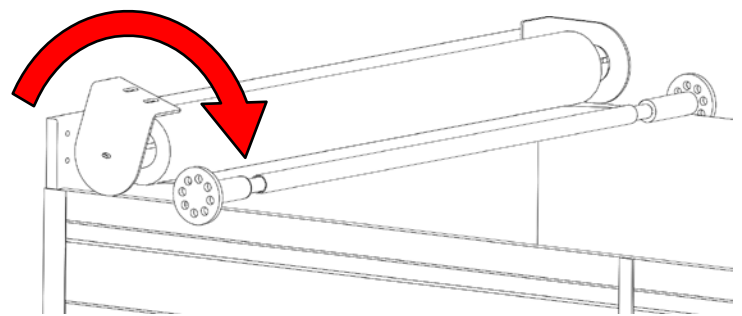


Figure 2: Tensioning Direction (16 to 18 Turns)

6. **Make sure spool has at least 2 mm of clearance on the drive end between the end bush and drive plate. The idler end can sit against the idler plate. (FIGURE 3)**
7. **Now that the system is in the correct position, pull the tarp out and check for resistance, notchiness and/or any binding. This will indicate that the end plates and spool are misaligned. Adjust the tarp assembly until the tarp moves smoothly.**
8. **Fully tighten down the system to complete the installation.**
9. **Finally, position and mount the shark fins at the rear of the tray where required.**

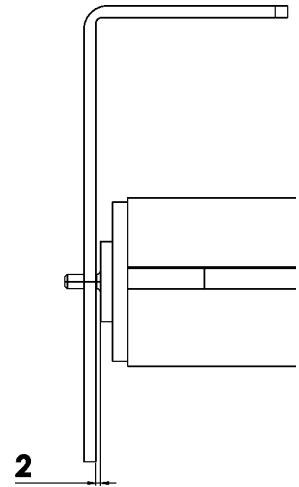


Figure 3: Drive Plate Minimum Clearance from spool

Failure to comply with these instructions can result in injury and/or damage to the pull-out assembly.
For further information on operating and installation procedures, contact our sales team at sales@retractabletarps.com.au or call (07) 3889 8611.

