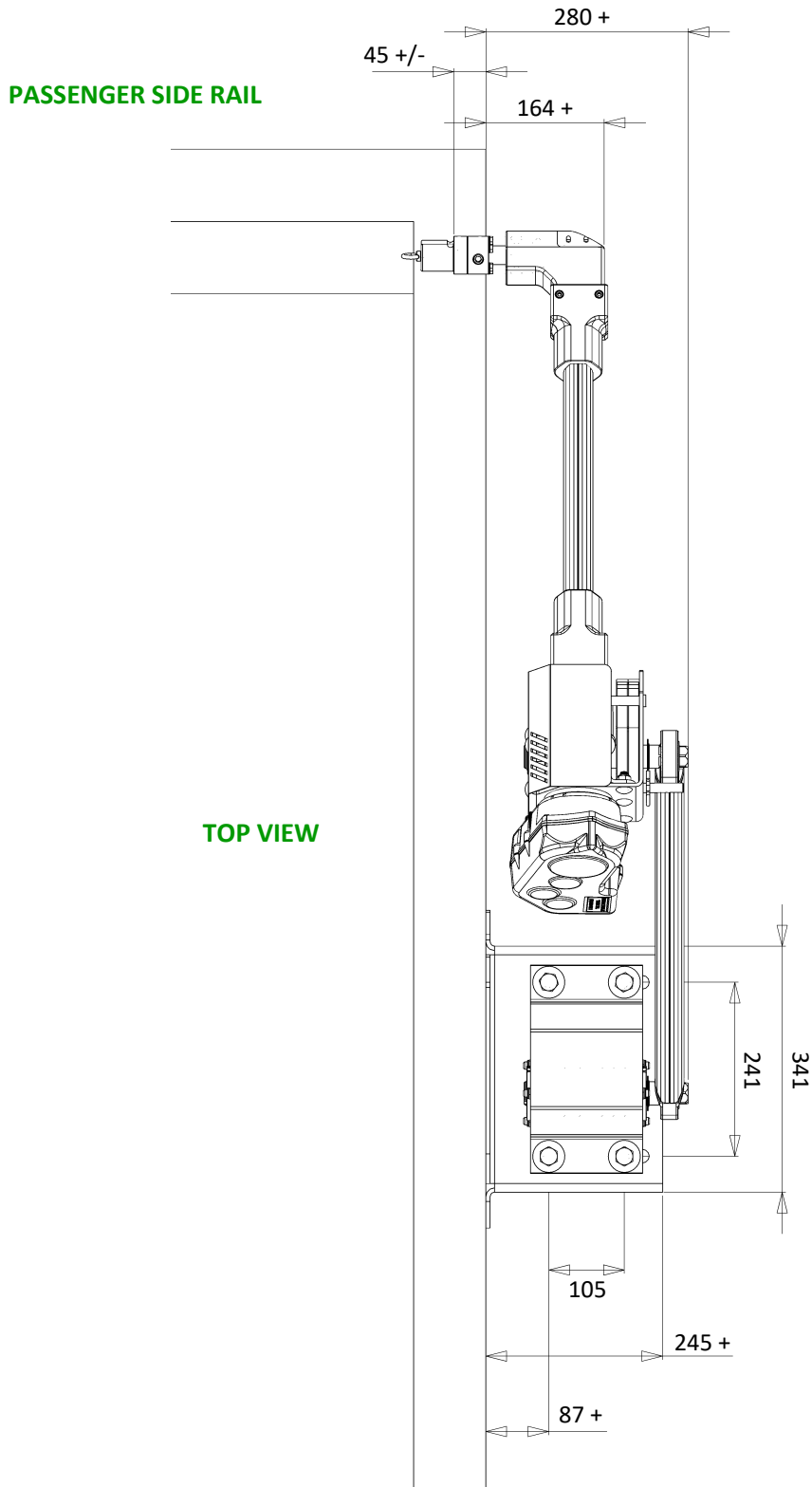




RIGHT DRIVE ARM OFFSETS ON STANDARD SPRINGBOX SHELF (ELECTRIC DRIVE)



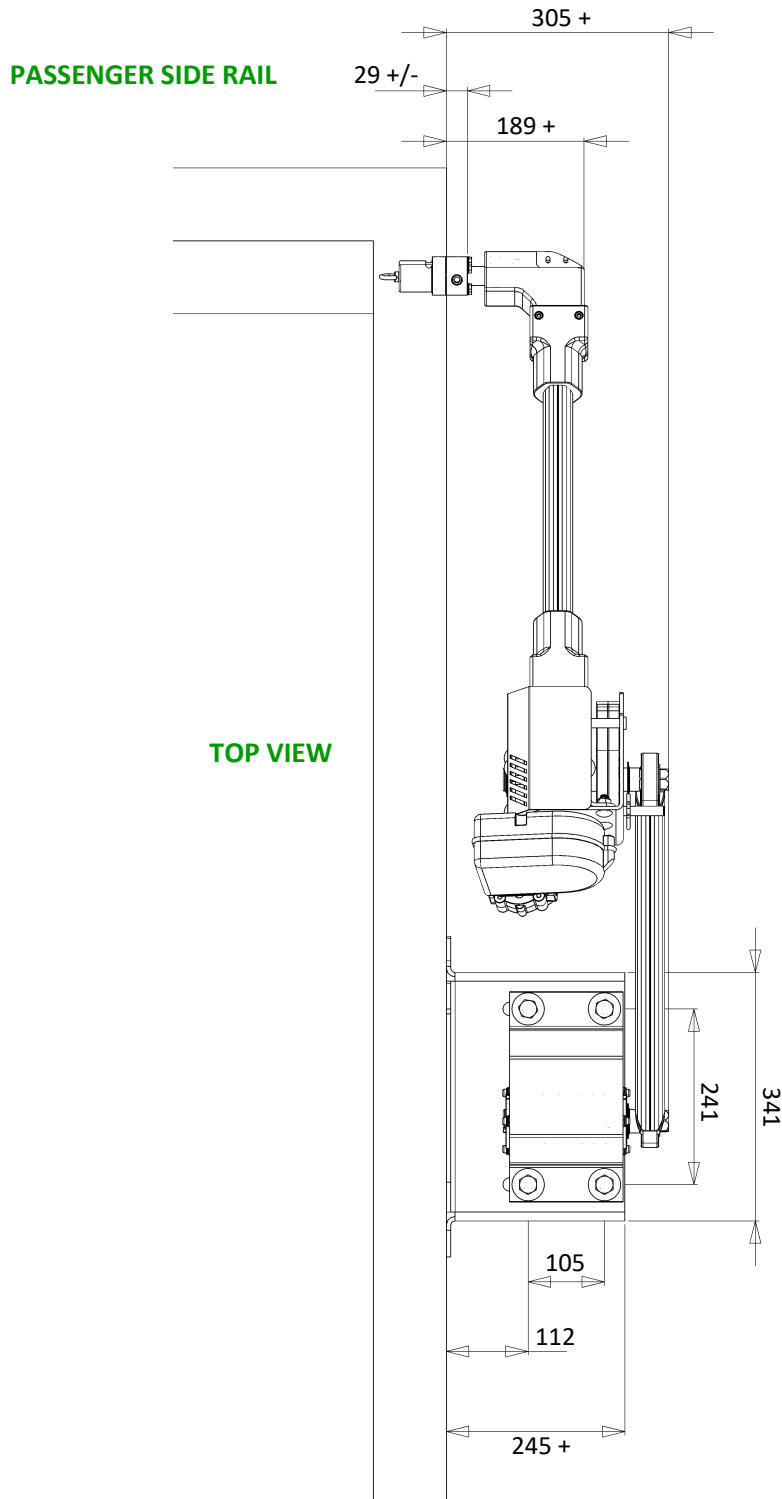
SPRING BOX MOUNTING POSITION

28-30 Terrence Road Brendale QLD 4500
 PO Box 5623, Brendale QLD 4500
 Phone 07 3889 9611, Fax 07 3889 9622
 Email: sales@retractabletarps.com.au

- Base of spring box to be 725 mm below top (combing) rails
- Spring box is to be offset to the locking side (Typically the drives side)
- Base of spring box can be mounted higher up to 550 mm for greater arm lift/body clearance



RIGHT DRIVE ARM OFFSETS ON STANDARD SPRINGBOX SHELF (HYDRAULIC DRIVE)



MOUNTING RECOMMENDATIONS

28-30 Terrence Road Brendale QLD 4500
 PO Box 5623, Brendale QLD 4500
 Phone 07 3889 9611, Fax 07 3889 9622
 Email: sales@retractabletarps.com.au

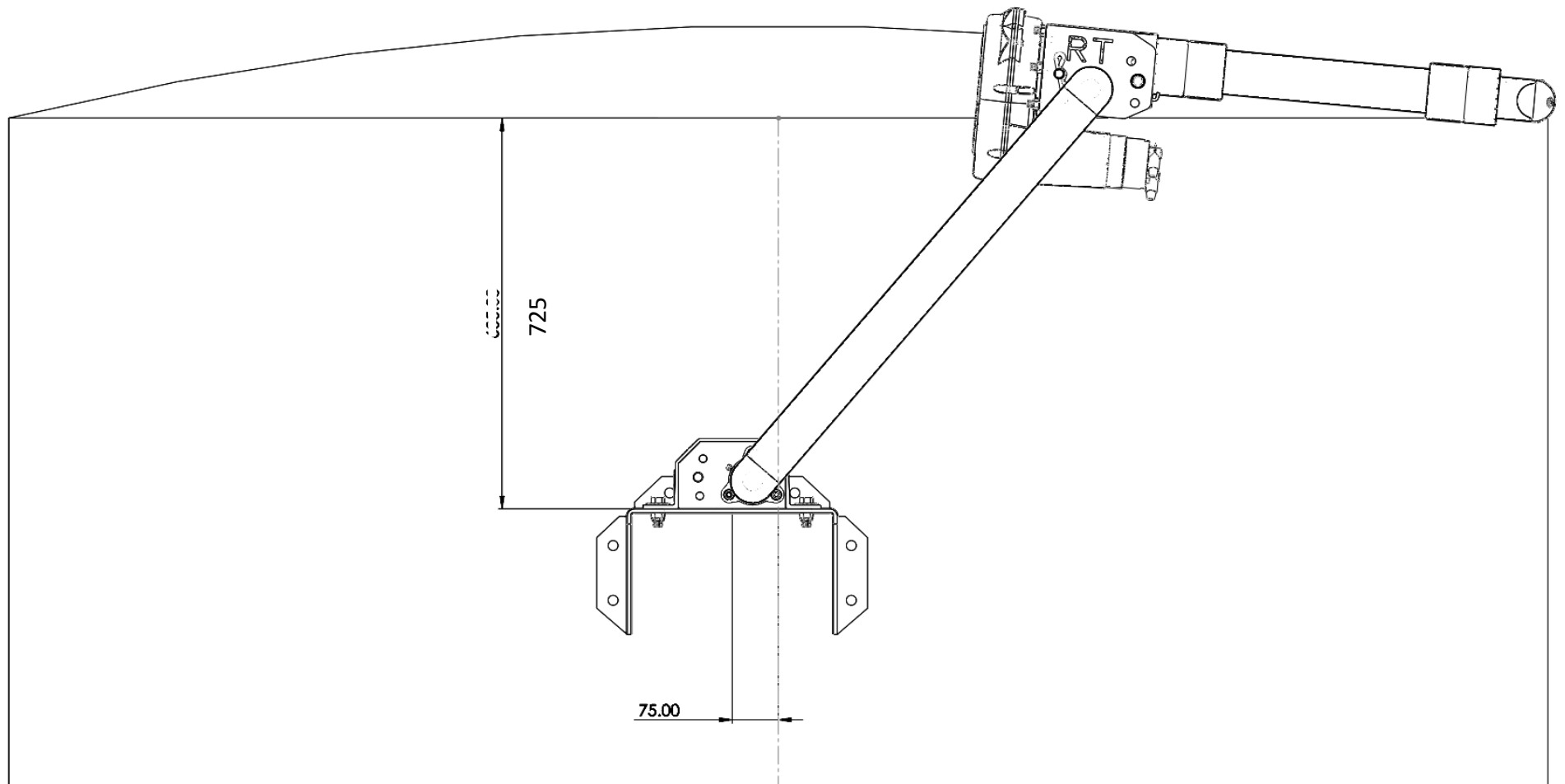
- Base of spring box to be 725 mm below top (combing) rails
- Spring box is to be offset to the locking side (Typically the drives side)
- Base of spring box can be mounted higher up to 550 mm for greater arm lift/body clearance



RETRACTABLE TARPS P/L

TARPING SYSTEMS & COMPONENTS

RIGHT ANGLE ARM MOUNTING POSITION



SPRING BOX MOUNTING POSITION

- Base of spring box to be 725 mm below top rails (waterlevel)
- Spring box is to be off-set 75 mm to the locking side (Typically the drivers side)
- Base of spring box can be mounted higher, up to 550 mm for greater arm lift/body clearance

28-30 Terrence Road Brendale QLD 4500

PO Box 5623, Brendale QLD 4500

Phone 07 3889 9611, Fax 07 3889 9622

Email: sales@retractabletarps.com.au