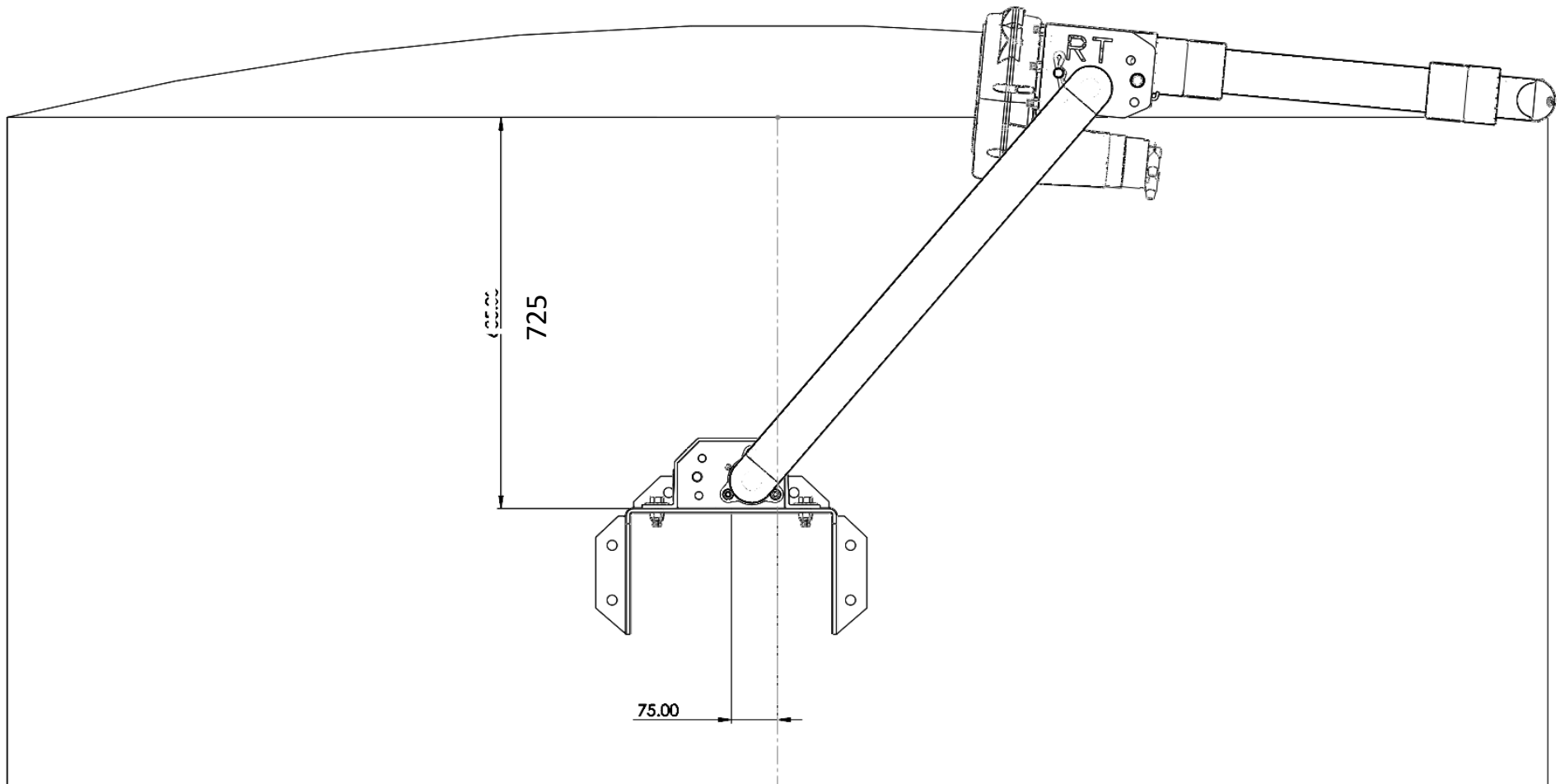




RETRACTABLE TARPS P/L

TARPING SYSTEMS & COMPONENTS

RIGHT ANGLE ARM MOUNTING POSITION



SPRING BOX MOUNTING POSITION

- Base of spring box to be 725 mm below top rails (waterlevel)
- Spring box is to be off-set 75 mm to the locking side (Typically the drivers side)
- Base of spring box can be mounted higher, up to 550 mm for greater arm lift/body clearance

28-30 Terrence Road Brendale QLD 4500

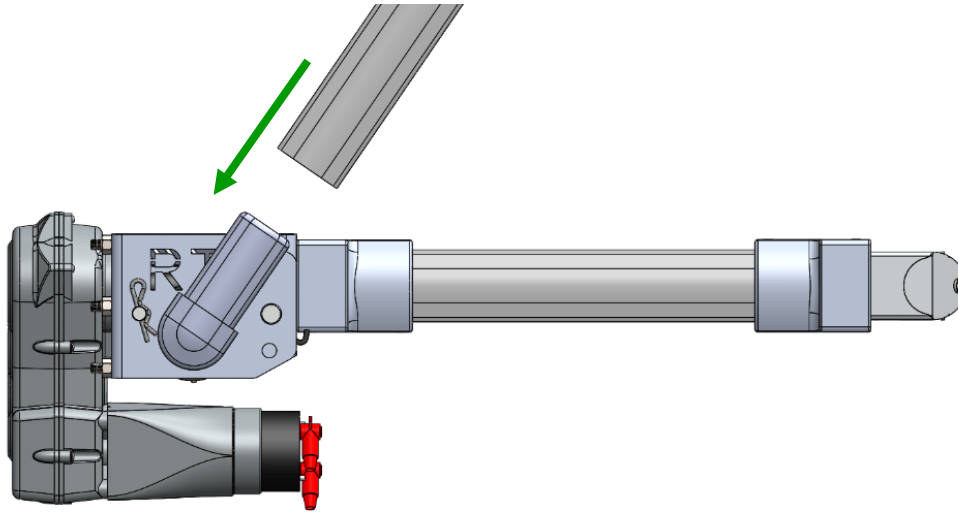
PO Box 5623, Brendale QLD 4500

Phone 07 3889 9611, Fax 07 3889 9622

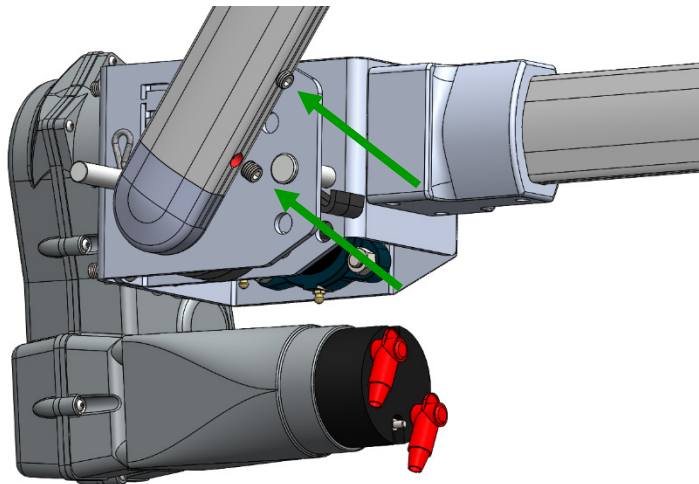
Email: sales@retractabletarps.com.au

RIGHT ANGLE ARM ASSEMBLY INSTRUCTIONS

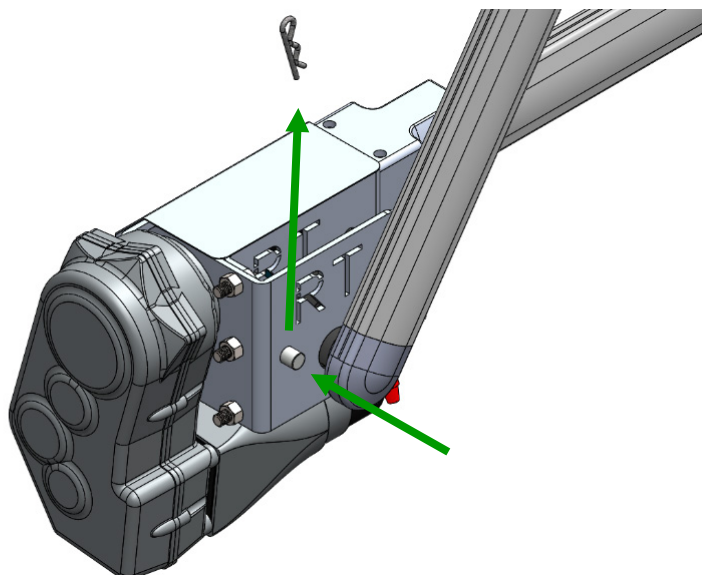
1. Press lower arm tube provided firmly onto the cast centre knuckle.



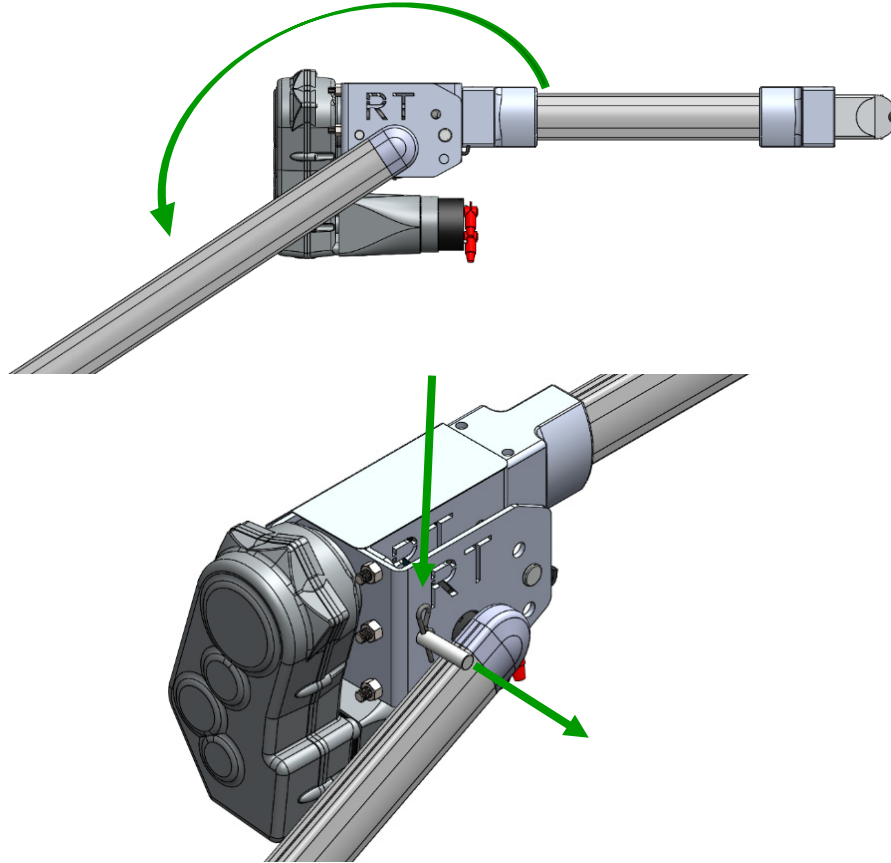
2. Lock the Arm tube in place with the provided grub screws.



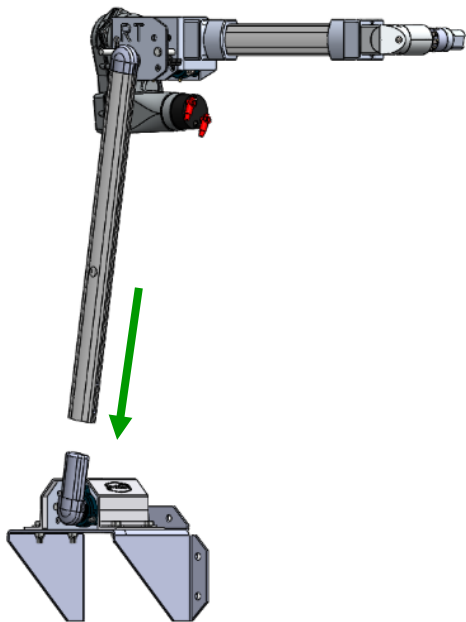
3. Remove the R-clip and push the clevis pin back into the housing to clear the arm.



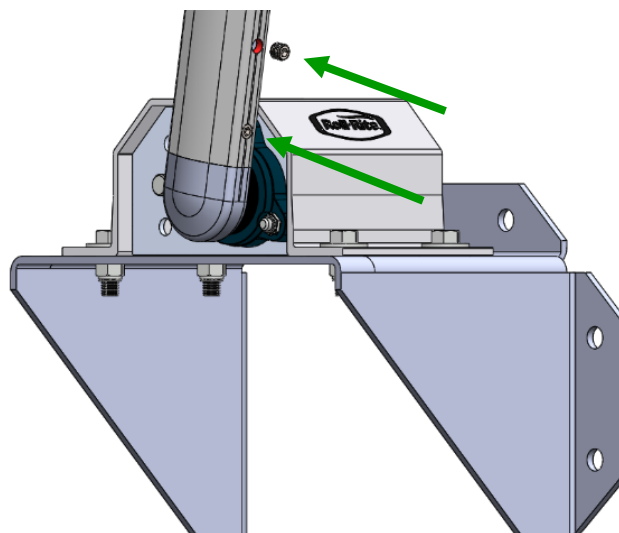
4. Lever the arm anti-clockwise past the lockout point, then return the R-clip to its position to lock the arm in position. Please take care when performing this operation as the unit is under high tension.



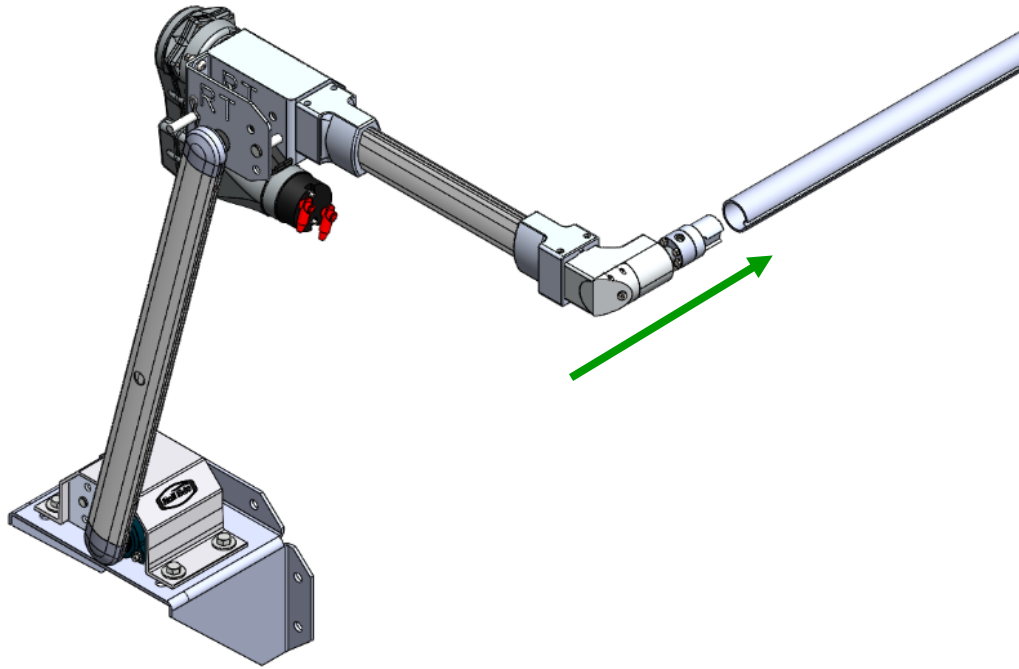
5. Slide the complete arm onto the spring box knuckle mounted in the position provided.



6. Secure with the provided grub screws



7. Align gearbox to the end of the roll tube and secure spring shackle to the end of the adaptor.



8. Insert the adaptor in the roll tube and secure to complete the mounting procedure.