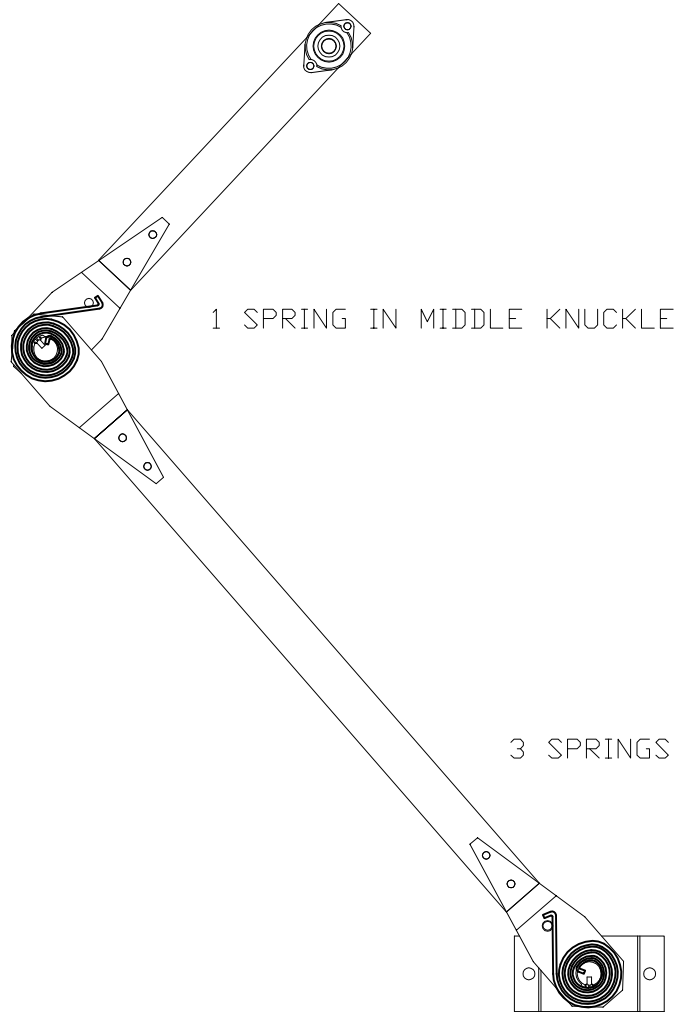
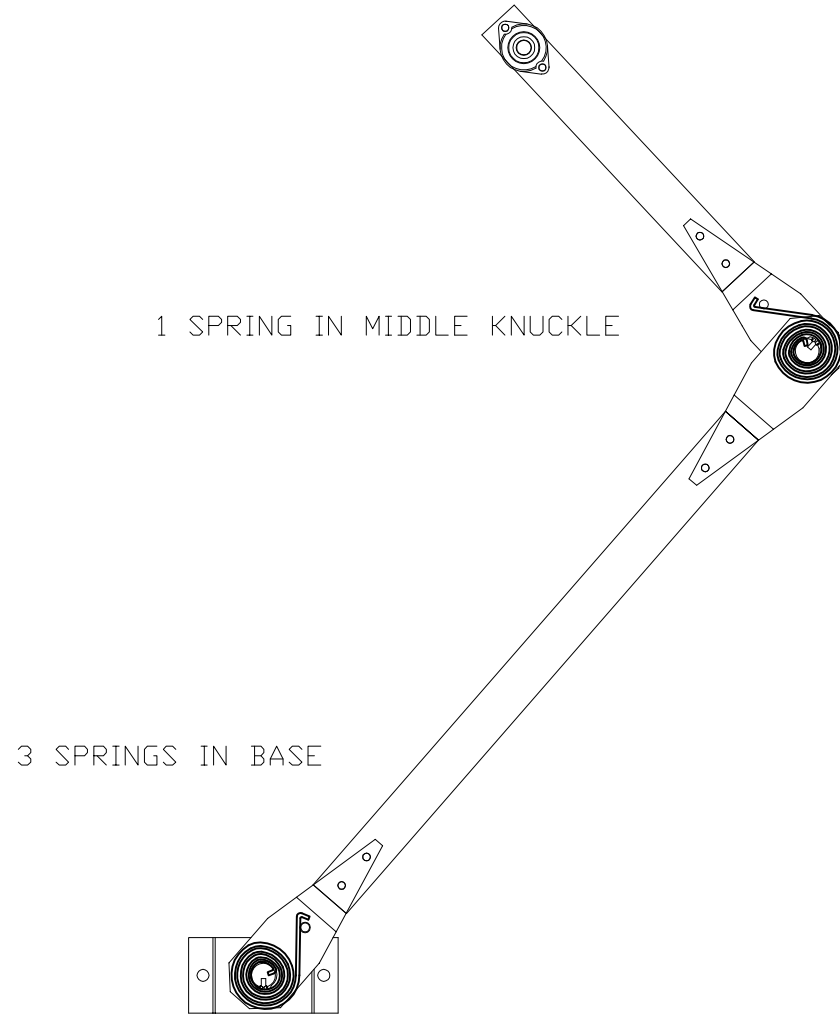


COPYRIGHT - ALL RIGHTS RESERVED
 Copying or reproducing the whole or part of
 this document in any form without the written
 permission of RETRACTABLE TARPS P/L
 constitutes an infringement of copyright.

FRONT ARM



REAR ARM



Drawing Title: STEEL ARM - SPRING ORIENTATION

Drawing Sub-Folder ROLL OVER

All Dimensions in mm



Phone: (07)38899611
 Fax: (07)38899622

Paper Size
 A4

DRAWING No.
 0014-31

Drawn
 S LUTWYCHE

Date
 20/08/14

Checked _____

Date __/__/__

Rev. No. _____

Date _____ Description _____



STD. TOL.
 ±0.5

Scale
 1:10

Rev
 0

Changed