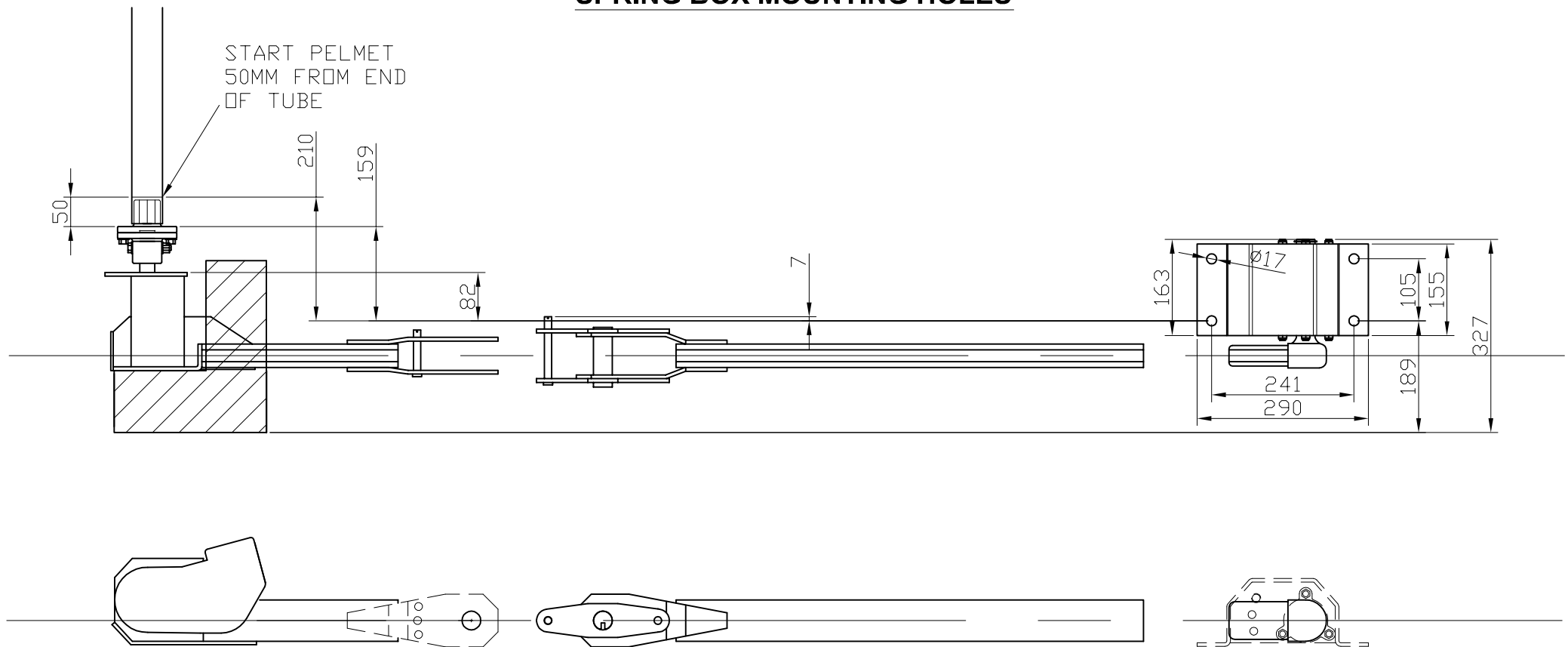


## ROLL RITE ELECTRIC FRONT ARM CLEARANCE & SPRING BOX MOUNTING HOLES



### SPRING BOX MOUNTING POSITION

- BASE OF SPRING BOX TO BE 635MM BELOW TOP RAILS
- SPRING BOX IS TO BE OFF-SET TO THE LOCKING SIDE (TYPICALLY THE DRIVER SIDE)