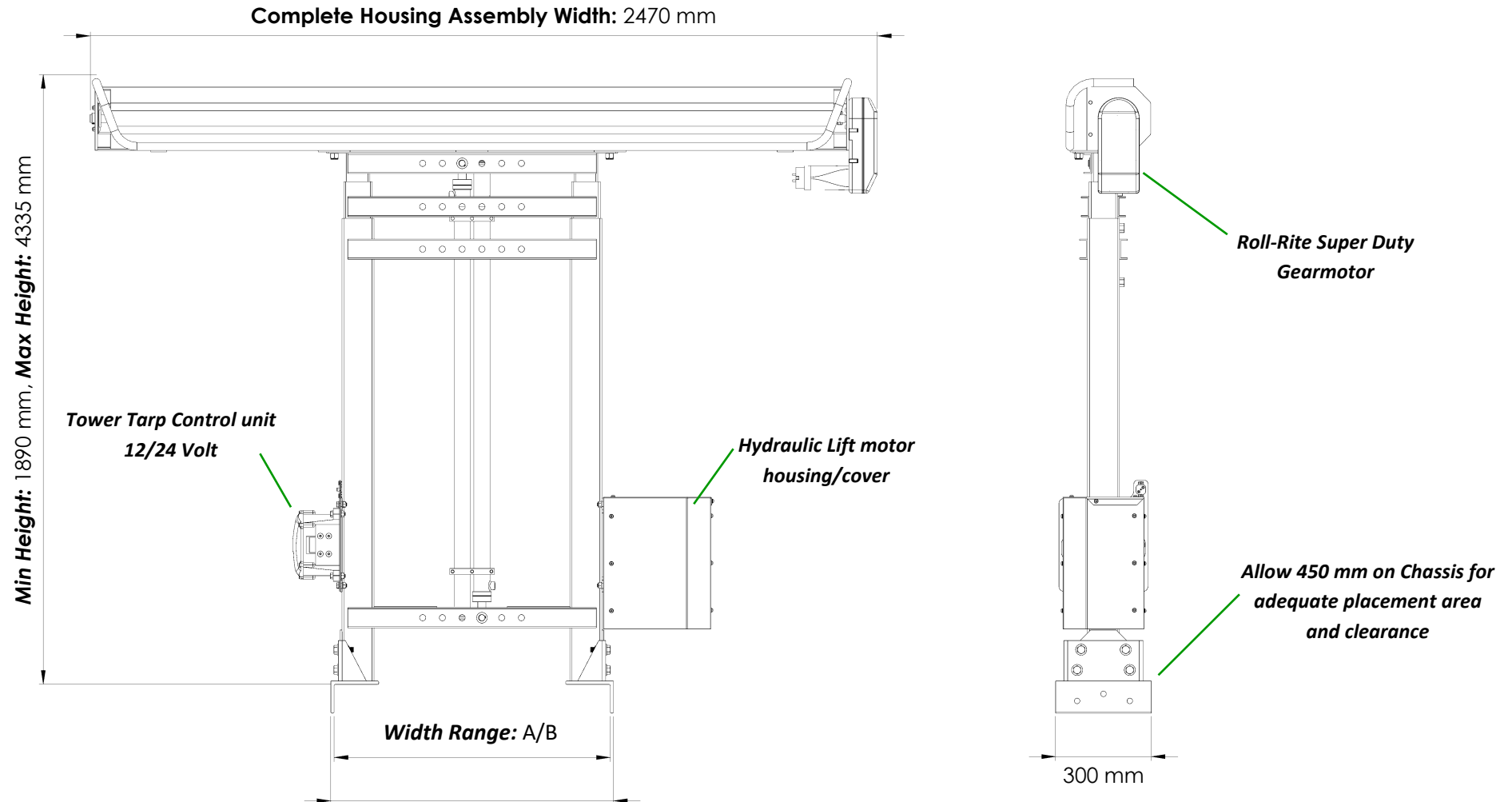




# TOWER TARP REFERENCE DIMENSIONS

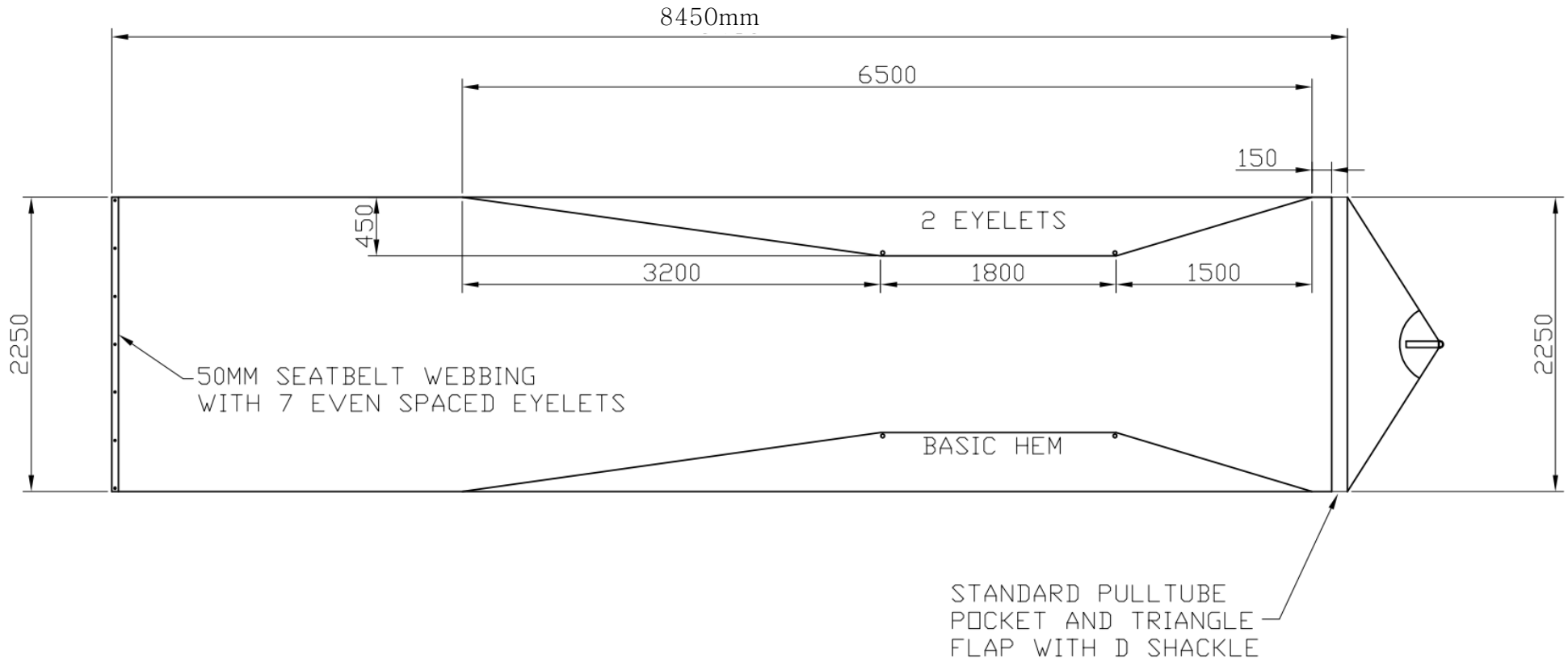


- **A.** Minimum Chassis Width: 760 mm (780 mm outside of frame)
- **B.** Maximum Chassis Width: 960 mm (980 mm outside of frame)
- Standard Tarp Size: 8450 x 2250 mm, Black PVC/Quarry Mesh Design
- Chassis width Required when ordering
- System Voltage required when ordering
- General lead time on system is 3 to 4 weeks (If no units are available in stock)

**28-30 Terrence Road Brendale QLD 4500**  
 PO Box 5623, Brendale QLD 4500  
 Phone 07 3889 9611, Fax 07 3889 9622  
 Email: sales@retractabletarps.com.au



# STANDARD TOWER TARP LAYOUT



**Material:** Black PVC/Quarry Mesh Combination