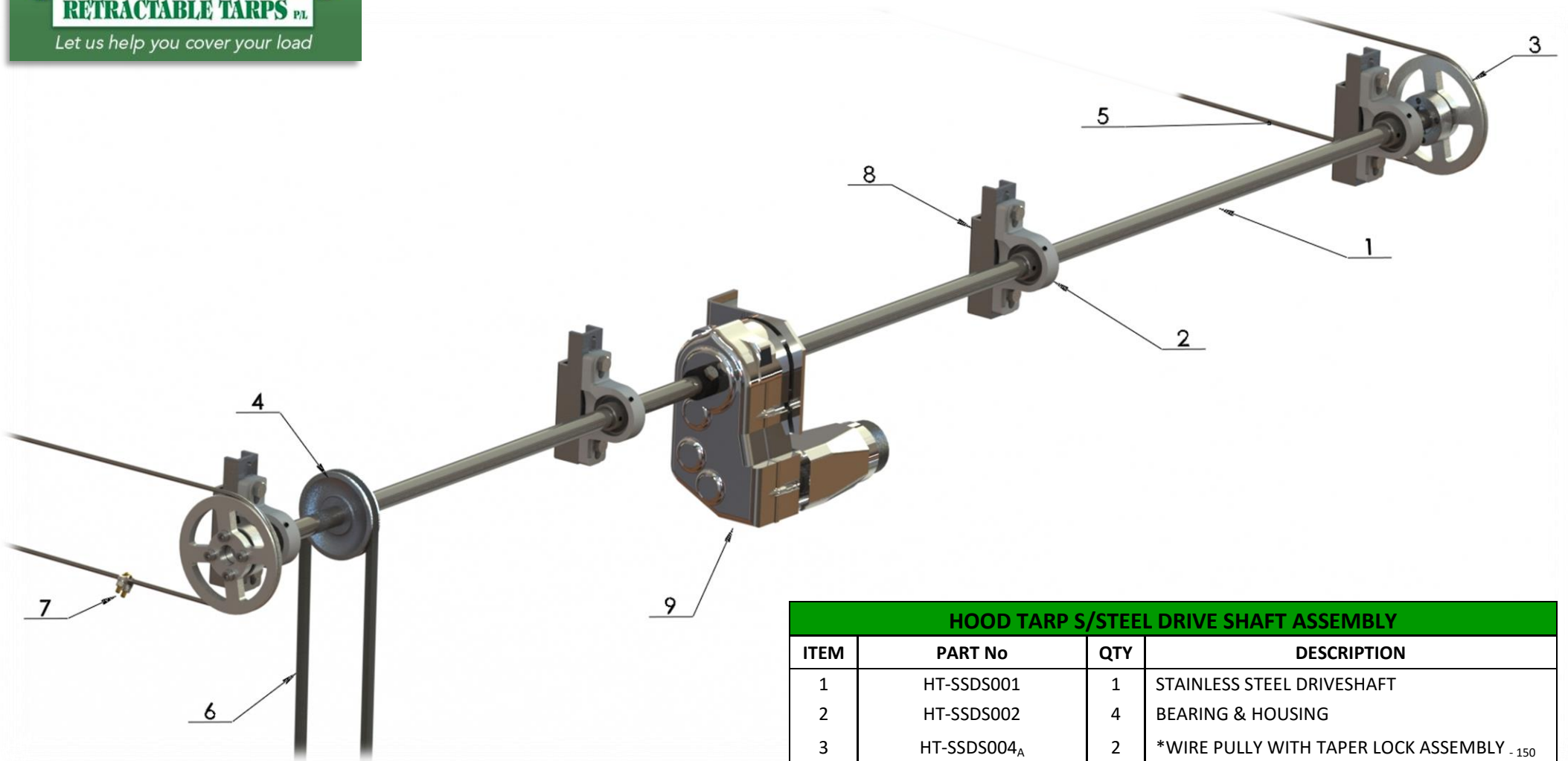




**RETRACTABLE TARPS PL**

Let us help you cover your load



**HOOD TARP S/STEEL DRIVE SHAFT ASSEMBLY**

ITEM	PART No	QTY	DESCRIPTION
1	HT-SSDS001	1	STAINLESS STEEL DRIVESHAFT
2	HT-SSDS002	4	BEARING & HOUSING
3	HT-SSDS004 <sub>A</sub>	2	*WIRE PULLY WITH TAPER LOCK ASSEMBLY .150
4	HTSSDS005 <sub>B</sub>	1	ALLOY V-BELT PULLEY .4"
5	HT-GCA6mm	2	6mm WIRE CABLE
6	HT-DB	1	DRIVE BELT
7	HT-CWG	2	CABLE WIRE GRIPS
8	HT-ABBS	4	BEARING SPACER BLOCK
9	RT-1027 <sub>12V</sub> or RT-1028 <sub>24V</sub>	1	ROLL-RITE HOLLOW SHAFT MOTOR

*\*Note: Complete sub-assembly or individual components available*